

> Cutting by knife

> Ø 12 to 110 mm - .47 to 4.33"



Main Features

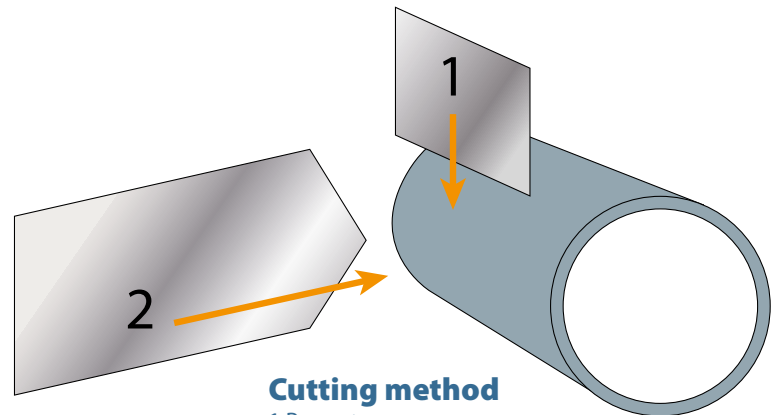
- > from \varnothing 12 to 110 mm - .47 to 4.33"
- > cutting by knife
- > straight or angle cut
- > cutting before or after bending
- > easy integration in automated production cells

Dimensions

- > 2100 x 1400 x 2000 to 3200 x 2500 x 2500 mm
- > 83 x 55 x 79" to 126 x 98 x 98"

Weight

- > 2200 to 7500 kg
- > 4850 to 16535 lbs



Cutting method

- 1.Pre-cut
- 2.Cutting by knife

